

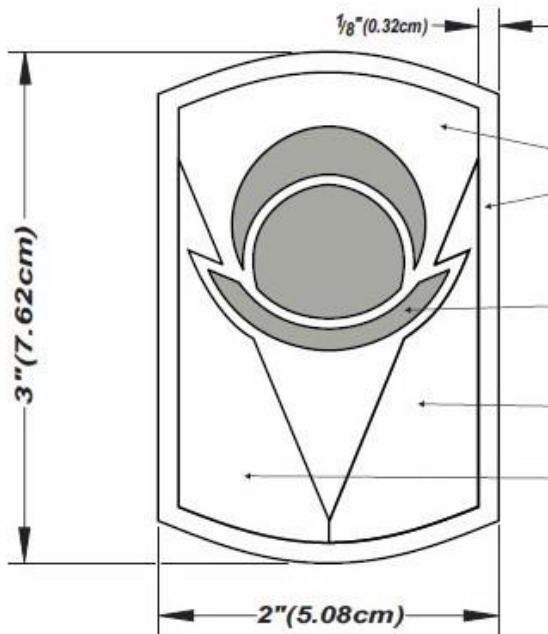
FOR SUBDUED INSIGNIA

ACU-UCP:
 YELLOW TO BE FOLIAGE GREEN 67202.
 BLACK, BLUE & SCARLET TO BE
 BLACK 67138.

ACU-OCP:
 YELLOW TO BE BAGBY GREEN 67204.
 BLACK, BLUE & SCARLET TO BE
 BLACK 67138.

REVISIONS

LTR	DESCRIPTION	DATE	APPROVED
-----	-------------	------	----------



- WHITE
CABLE No. 67101
upper background
& border
- BLACK
CABLE No. 67101
all shaded areas
- SCARLET
CABLE No. 67111
- ULTRAMARINE BLUE
CABLE No. 67118

DESIGNED FOR OVEREDGE STITCHING
STITCH COUNT
4004 STITCHES (MINIMUM)
90/2 DENIER
8/4 SPAN

SUPERSEDES TIOH DWG A-1-327 DTD 18 SEPTEMBER 1974

UNLESS OTHERWISE
 SPECIFIED DIMENSIONS
 ARE IN INCHES
 TOLERANCES ON
 FRACTIONS DECIMALS
 ANGLES

MATERIALS:
 TO BE MANUFACTURED
 IN ACCORDANCE WITH
 MIL-DTL-14652

EXAMINED	TLG	
CHECKED	CA	SAD
PREPARED	CLH III	
APPROVED	 CHARLES V. MUGNO DIRECTOR	

THE INSTITUTE OF HERALDRY, DEPARTMENT OF THE ARMY
 9325 GUNSTON RD. S-113 FORT BELVOIR, VA 22060-5579

SHOULDER SLEEVE INSIGNIA
53D INFANTRY BRIGADE
FLORIDA ARMY NATIONAL GUARD

SIZE	CONTROL IDENT. NO	
A	22571	A - 1 - 327
SCALE	FULL	DATE 15 JULY 2016